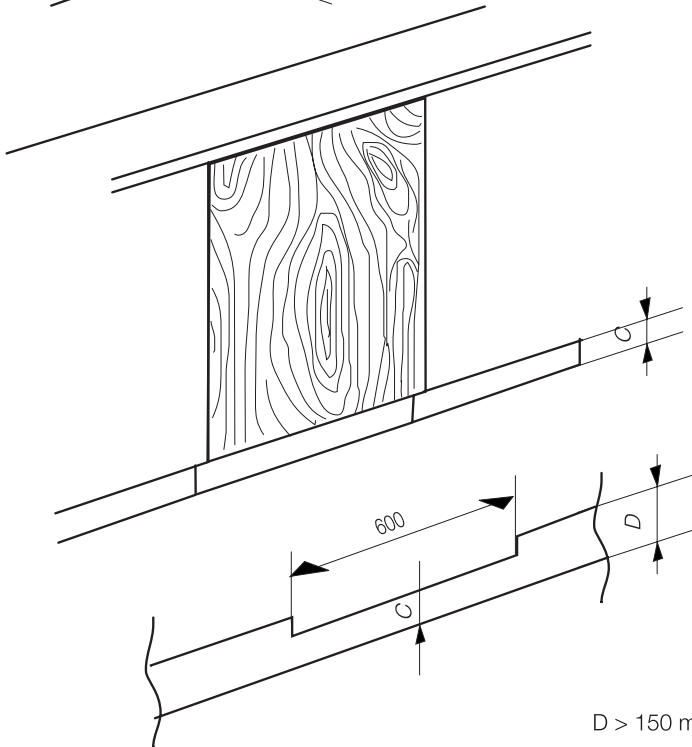
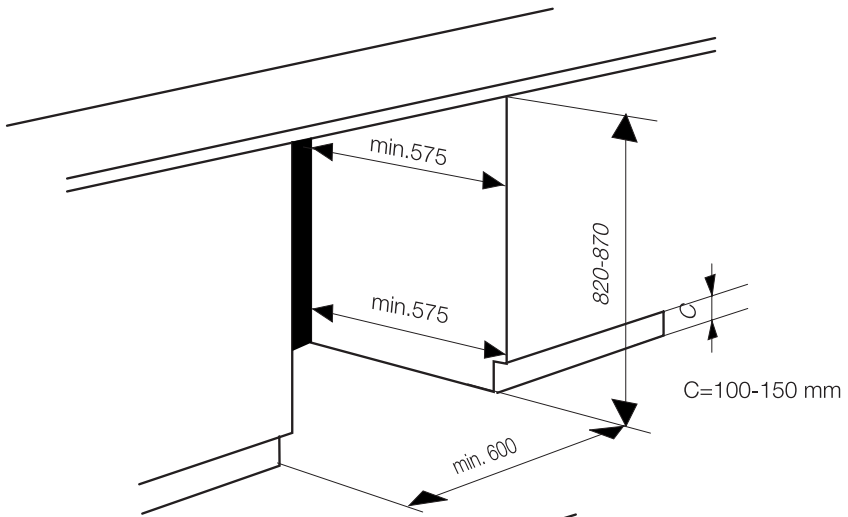


A (mm)	820 - 870 mm
C (mm)	100 - 150 mm

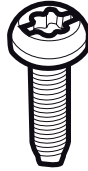
NOTE

1) Height of the product can be adjusted by the help of adjustable feet (front and back) to fit the furniture niche height (B).

2) Do not operate this appliance until it has been installed in the furniture.



Torks
Torx



T (M5*12)

Ağaç
Wood



W

Sac
Sheet

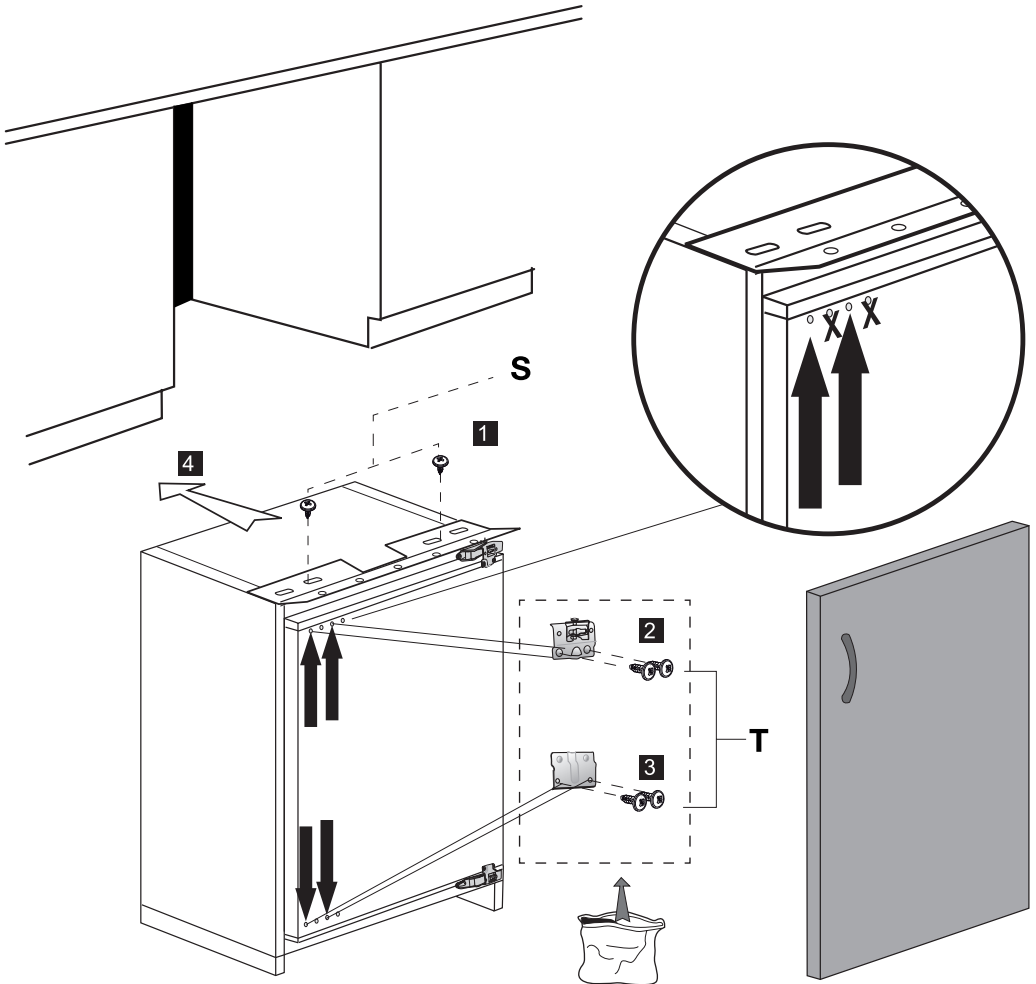


S

Havşa Baş
Countersink

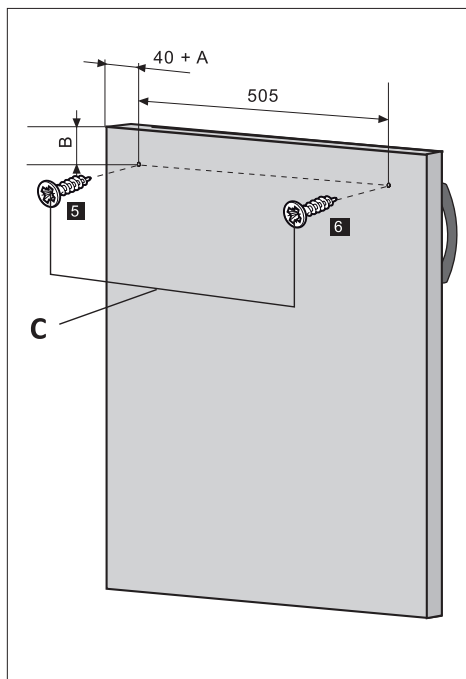
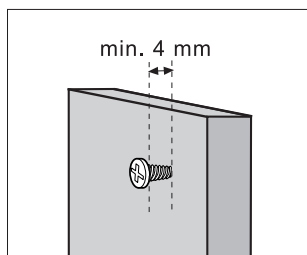
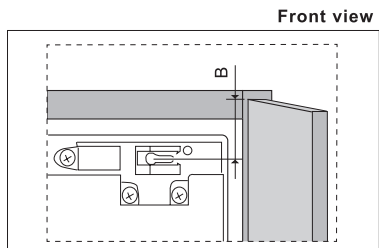
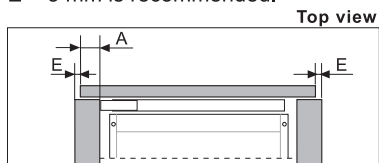


C



Note: Installation step for 2, screws for connecting top plastic part should not be screwed very hard, because of moving the plastic part easily left or right side.

E = 3 mm is recommended.



Note:

1. These dimensions are valid for products, which are hinged on right hand side.
2. When door opening direction is reversed, mirror image of this instruction should be considered
That is, dimensions should be considered for opposite sides.

